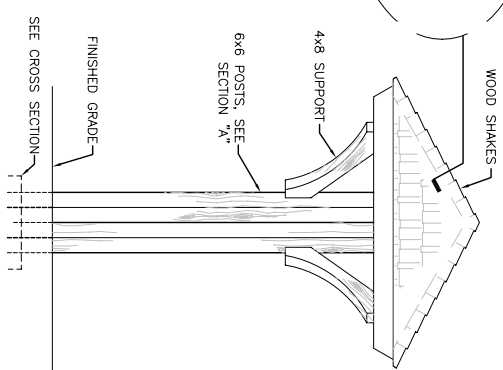
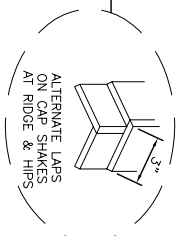
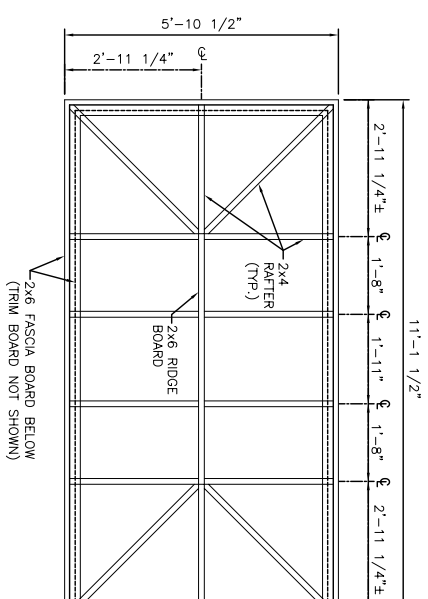


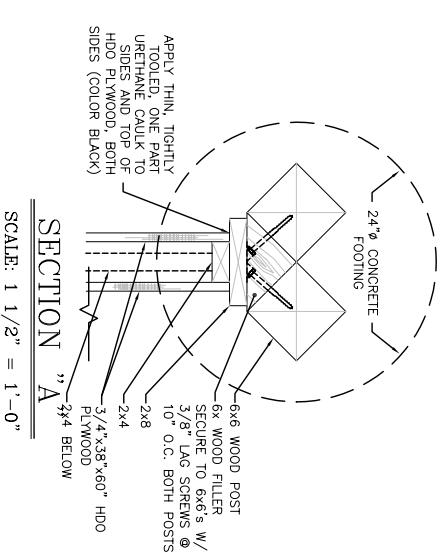
FRONT ELEVATION
SCALE: 1/2" = 1'-0"



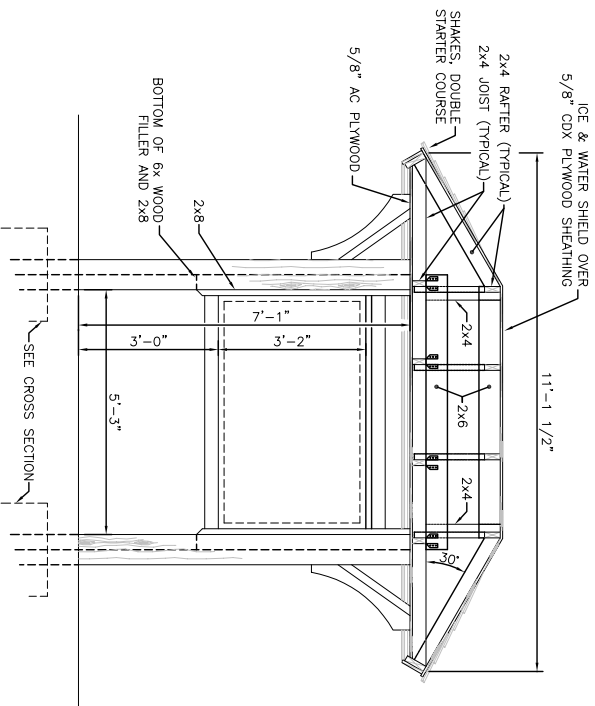
SIDE ELEVATION
SCALE: 1/2" = 1'-0"



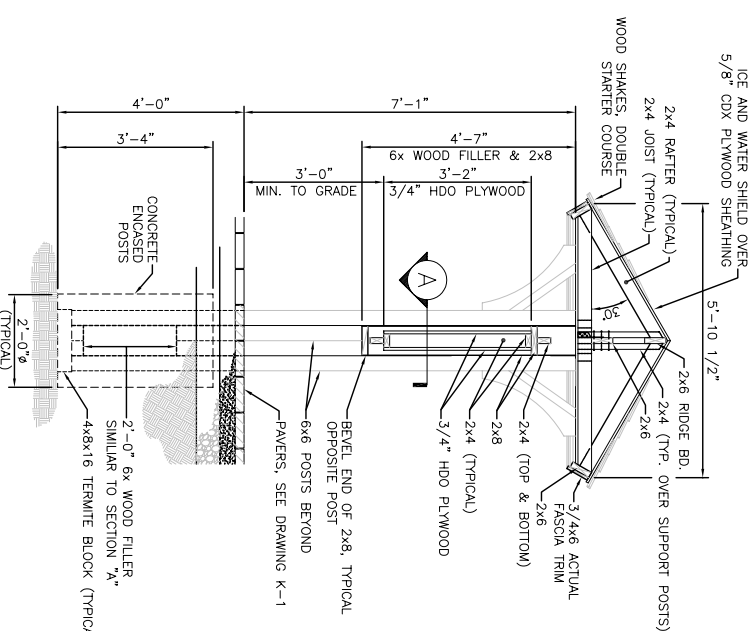
RAFTER PLAN
SCALE: 1/2" = 1'-0"



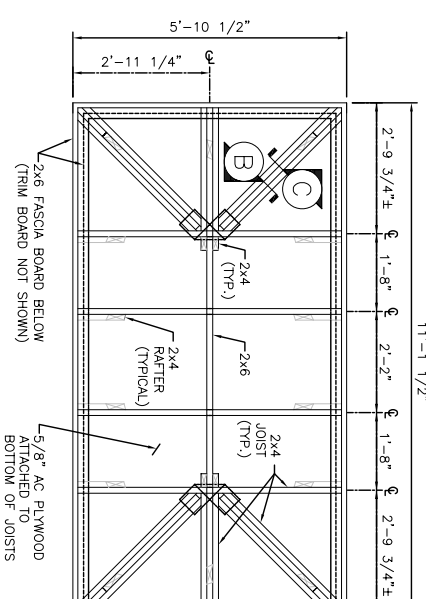
SECTION "A"
SCALE: 1 1/2" = 1'-0"



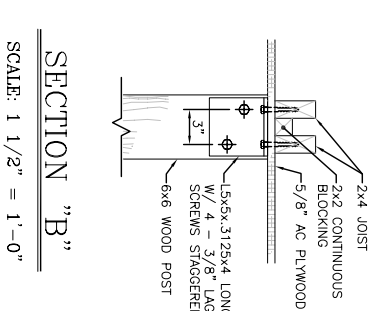
LONGITUDINAL SECTION
SCALE: 1/2" = 1'-0"



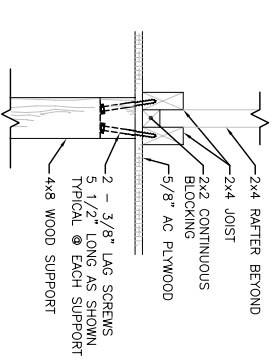
CROSS SECTION
SCALE: 1/2" = 1'-0"



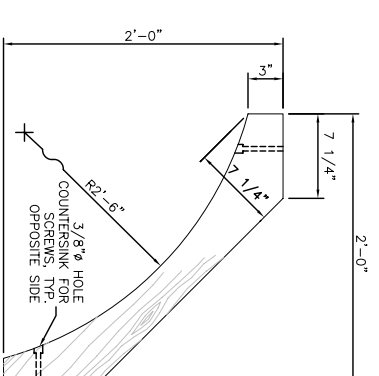
JOIST PLAN
SCALE: 1/2" = 1'-0"



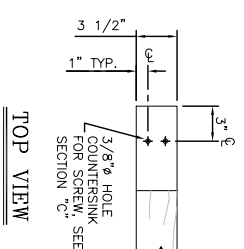
SECTION "B"
SCALE: 1 1/2" = 1'-0"



SECTION "C"
SCALE: 1 1/2" = 1'-0"



4x8 SUPPORT
SCALE: 1 1/2" = 1'-0"



NOTE:
ALL EXPOSED WOOD SHALL BE SYP - TREATED.
6 LBS./CF RETENTION FOR POSTS.
2x MATERIAL - 4 LBS./CF.

Drawing SK #11

KIOSK AT MEAD SQUARE

AS NOTED